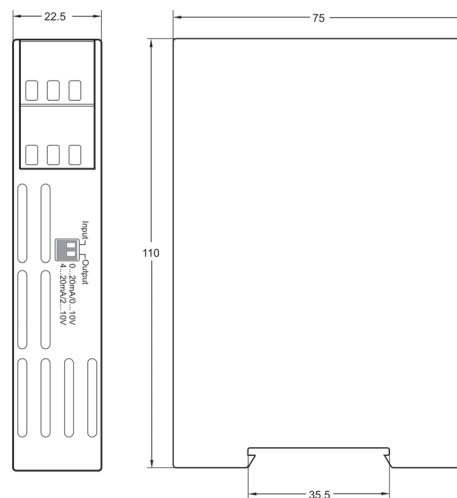


**Product Information**

# Isolating Signal Converter TV500H



## Dimensions



DIN rail mounting TS35

## Characteristics

The TV500H brings the function of an isolating signal converter together with a set point adjuster and offers comparator and hold function. This combination offers therefore the possibility, to simulate a measuring value and the easy way to change the sensor without process interruption.

## Technical data

### Power supply

Supply voltage : 230 V AC  $\pm 10\%$  47..63 Hz or  
24 V DC  $\pm 15\%$   
Power consumption : < 3 VA  
Operating temperature : -10..+50 °C  
CE-conformity : EN 61326-1:2013  
EN 60664-1:2007

### Input

Current : 0/4..20 mA selectable,  $R_i = 43 \Omega$ ,  
overload max. 100 mA  
Voltage : 0/2..10 V selectable,  $R_i = 175 k\Omega$ ,  
overload max. 100 V

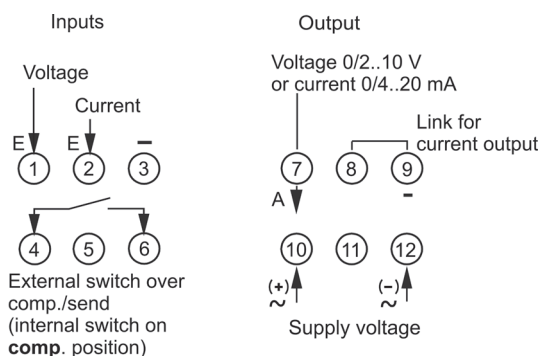
### Output

Programmable output  
Voltage  $\rightarrow$  current : link between terminal 8 and 9  
Current : 0/4..20 mA selectable, burden < 500  $\Omega$   
Voltage : 0/2..10 V selectable, load max. 10 mA  
Accuracy : < 0.2 %  
Rise time ( $T_{90}$ ) : < 40 ms

**Case** : standard polycarbonate 8020 UL94V-1  
acc. to DIN EN 60715:2001-09

Weight : approx. 200 g  
Electrical connection : screw terminals, max. 2.5 mm<sup>2</sup>  
Protection class : case IP30,  
terminals IP20 acc. to BGV A3

## Connection diagram



## Ordering code

TV500H - 10 -

1. Supply voltage	
0	230 V AC $\pm 10\%$
5	24V DC $\pm 15\%$