

Product Information

Digital Panelmeter DP4848A



- Multipurpose input for 0/4..20 mA, 0/2..10 V and potentiometer
- Input for RTD sensor Pt100/Pt1000
- Adjustable display range -199..999 Digit

Characteristics

In spite of the small device size, the large display provides a good view from afar.
Other models of the DP4848A are for temperature measurement with Pt100 and Pt1000 sensors. The input configuration is switch selectable from the side, without opening the case. Input and supply voltage are isolated. The display range is adjustable with 20-turn trim pot's for initial value and span.

Technical data

Power supply

Supply voltage : 10.8..30 V DC; 17..30 V AC
Frequency AC : 47..63 Hz
Power consumption : approx. 1.2 VA
Working temperature : -10..+60 °C
CE-conformity : EN 61326-1:2013

Input

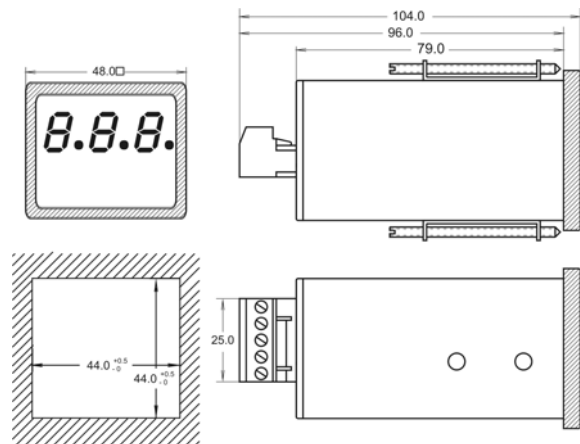
Voltage : 0/2..10 V DC
Input resistance : $R_i = 40 \text{ k}\Omega$
Overload : max. 48 V
Current : 0/4..20 mA
Input resistance : $R_i = 125 \Omega$
Overload : max. 60 mA
Potentiometer : min. 1 k Ω , max. 100 k Ω
Pt100 : -19.9..+99.9 °C / -100..+600 °C
Sensor current : approx. 1 mA (low self heating)
Pt1000 : -19.9..+99.9 °C
Sensor current : approx. 0.2 mA (low self heating)
Accuracy : < 0.05 % +/-1 Digit

Display

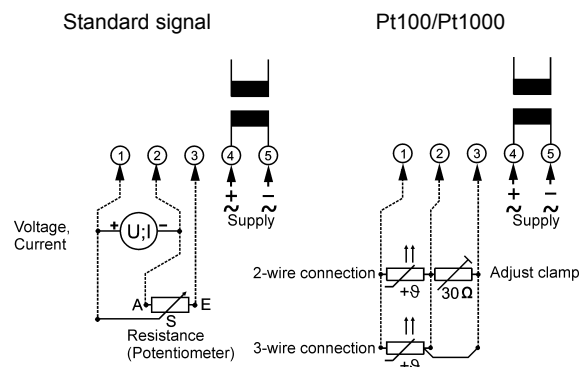
Conversion rate : approx. 2 / s
Range / color : 3 digit, red or green, 7.6 mm
Decimal point : switch selectable
Overflow : display flashes with 2 Hz
Case : DIN 48x48 mm, mounting depth 96 mm
Type : slide-in case, acc. to DIN 43700, material Noryl SE1 GFN2 panel cut-out 44x44 mm

Weight : 100 g
Connection : plug-in terminal, max. 1.5 mm
Protection class : front IP54 or IP65 terminals IP20 acc. to BGV A3

Dimensions



Connection diagram



Ordering code

DP4848A - - - -

| 1. Display | |
|-------------------------------------|---------------------------|
| 3 | 3-digit LED red 14.2mm |
| 4 | 3-digit LED green 14.2mm |
| 2. Input | |
| 10 | industry standard signal |
| 20 | custom input (on request) |
| 50 | Pt100 |
| 53 | Pt1000 |
| 3. Protection class | |
| 1 | IP54 |
| 2 | IP65 |
| 4. Unit (appears on the face plate) | |