

Product Information

Displays

**Loop powered
Panelmeter SP9648**



- LED-display without separate supply voltage
- Free adjustable indicating range
- Switch selectable conversion rate 3/s or 0.5/s

Characteristics

Loop powered Panelmeter SP9648 can be used for indicating and measurement applications in process technology and automation. The small case is suitable for installation in control units and panel boards. The input allows indication of any physical dimension, which are stated in a signal of 4..20mA.

Technical data

Input

Current input : 4..20 mA
Overload range : -100..150 mA
Voltage drop : 2.5..3.4 V,
depends on chosen display brightness
Accuracy : 0.1 % , +/- 1 Digit
Operating temp. : -10..+60 °C
CE-conformity : EN 61326-1:2013

Display

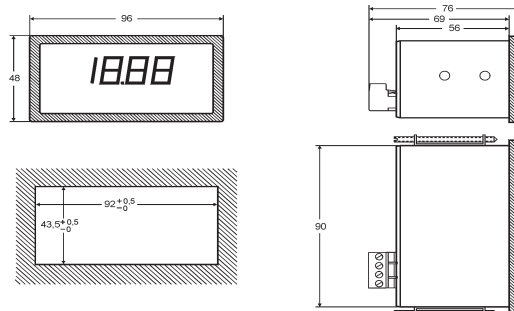
Indicating range : -1999..+1999
Span : adjustable 0..4000 Digits
Zero point : adjustable -100..+25 % of the span
Brightness : adjustable ≈ 40..100 %
Conversion rate : 3/s or 0.5/s switchable
Height : 7.6 mm
Overflow indication : "-/ for negative and
"/ for positive overflow
Color : red
Case : DIN96x48 mm mounting depth 69 mm
acc. to DIN 43700, material Noryl GFN 2 SE 1
field case polycarbonate RAL 7035

Weight

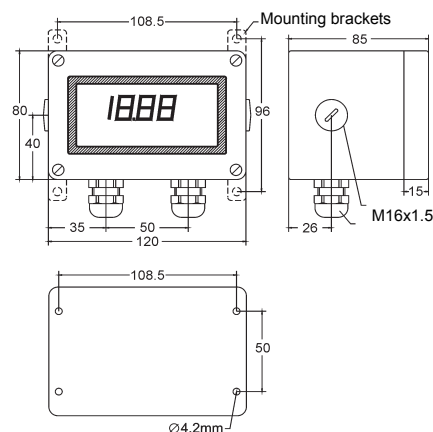
- Panel case : approx. 170 g
- Field case : approx. 366 g
Connection : slide-in terminal strip,
max. 1.5 mm², AWG16
Protection class : front IP54 or IP65
terminals IP20 acc. to BGV A3

Dimensions

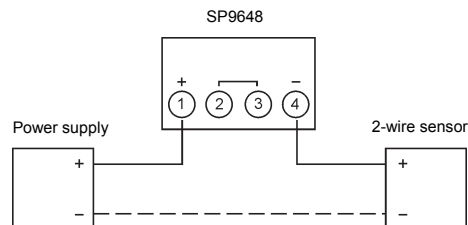
Panel case



Field case



Connection diagram



Ordering code

SP9648 - 1. - 2. - 3. - 4.

1. Device type	
1	panel case
2	field case 120x80x85 mm (WxHxD)
2. Display characteristic	
S	increasing (Standard)
F	decreasing
3. Protection class	
1	IP54
2	IP65
4. Unit (appears on the face plate)	
Accessories	
10031201	mounting brackets