

Capacitive Level Gauge UNICON®-CL



Mounting type 04



Mounting type 01

Technical data

Power supply	
Supply voltage	: 14..30 V DC, 2-wire
CE-conformity	: EN 61326-1:2013
Ambient conditions	
Ambient temperature	: -10..+50°C
Climatic class	: EN 60068-2-38
Protection class	: IP65
Vibration class	: EN 60068-2-6, GL test2
Input	
Measuring range	: 0..100 mm up to max. 3000 mm
Repeatability	: ±2 mm
Accuracy	: 0.5 % of the measuring value
Refresh time	: 1 s
Electrical connection	: screw terminal with pressure plate 2.5mm ² IP20 acc. to German BGV A3 : sensor/supply/outputs
Isolation	
Outputs	
Level	: 4..20 mA, 2-wire
Temperature	: 4..20 mA -40..+160 °C, 2-wire Pt100 sensor class B acc. DIN60751
Alarm	: transistor 14..30V max. 60 mA
Case	
Material	: Polyamide PA6-GF/GK 15/15 Front foil Polyester
Protection class	: IP65
Sensor	
Mounting direction	: \$ only vertical
Radiated frequency	: 400 kHz
Conductivity medium	: >50 µS
Viscosity medium	: <2000 mm ² /s (cSt)
Process temperature	: 0..60 / -10..+120 °C, 140 °C < 1h CIP-/SIP-capable
Process pressure	: 0..16 bar
Process material	: PTFE with aluminum core, sealing FDA conform stainless steel 1.4404
Process connection	: G ¾ A
Stud torque	: 10 Nm max.

Mistakes reserved, technical specifications subject to change without notice.

Continue next page

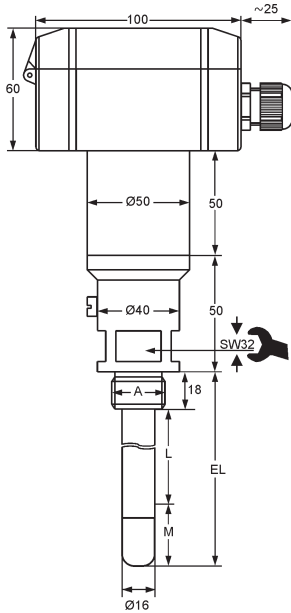
Characteristics

- Microprocessor controlled measurement with LCD Display
- Measuring unit programmable
- Tara function (level 0)
- No moving parts in the medium
- For conductive liquids, acids or lye's
- Not for adherent media
- Temperature compensation with Pt100 sensor
- Outputs 4..20 mA 2-wire for level and temperature, measuring range programmable
- 2 alarm outputs transistor voltage free
min or max function
- Programmable set points
- Simulation mode (manual mode) for level and temperature
- Level correction of the indicating range
- 2-point calibration to adapt the geometric of the tank
- Horizontal or vertical mounting of the electronic

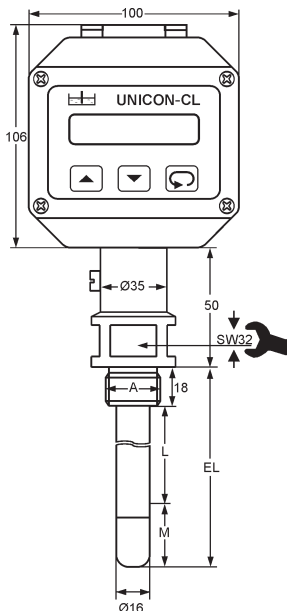
... professional Instruments "MADE IN GERMANY"

Product Information

Dimensions

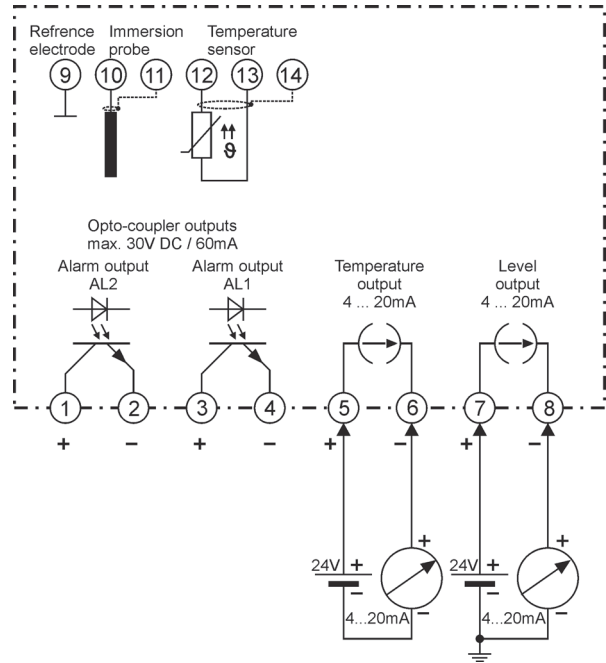


Head mounting horizontal; mounting type 01



Head mounting vertical; mounting type 04

Connection diagram



Ordering code

UNICON-CL - - - - - - -

1. Model	
1	output 4..20 mA, for level, 2 electronic alarm outputs
2	as 1, but additional temperature measurement, for temperature compensation of the probe output 4..20 mA for temperature
2. Mounting type	
01	case horizontal
04	case vertical, cable glands at the backside
3. Sensor (M = minimal immersion depth)	
1	Single sensor for metal tanks min. 20 mm (M)
2	Single sensor for plastic tanks min. 60 mm (M)
4	as 2, but reference electrode Hastelloy, for acids and lye's
4. Medium temperature	
1	0..60 °C
2	-10..+120 °C (steam sterilization 140 °C)
5. Process connection	G 3/4 A
6. Mounting length EL (please state in mm)	Standard 500, 800, 1000, 1500, 2000, 2500 mm
7. Options	
00	without option
11	2 nd cable gland M20x1.5

Following information's are needed by order:

1. type of medium
2. medium temperature

... professional Instruments "MADE IN GERMANY"