

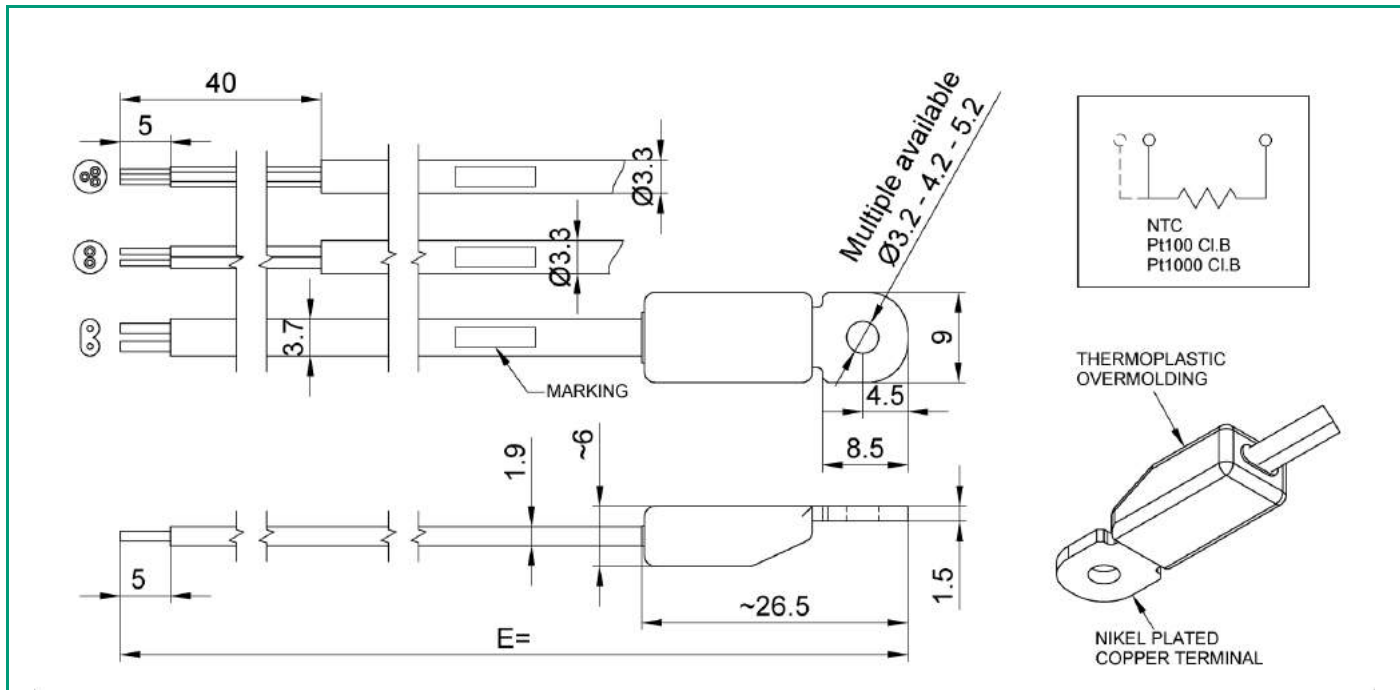
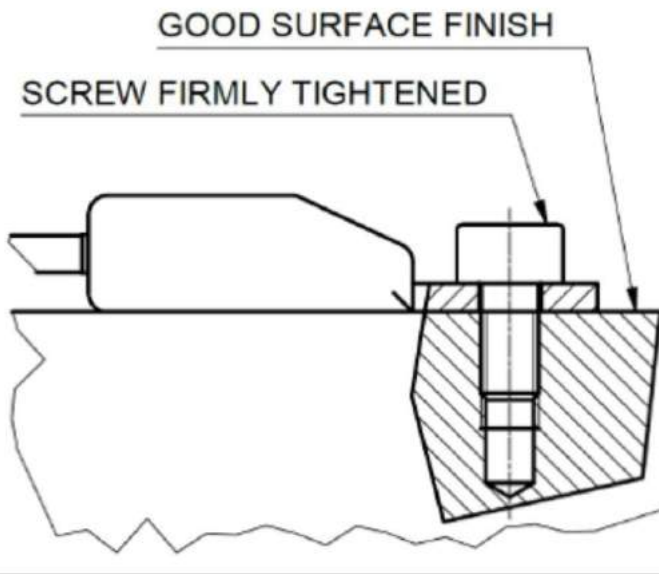
EYE-SERIES

Rev. 0 - 17/05/2024

EYELET SENSOR WITH THERMOPLASTIC INSULATION

Skin point probe with nickel-plated copper eyelet and thermoplastic insulation.
Sensitive element Pt100, Pt1000 or NTC. Direct mounting on flat surfaces with common screws (eyelet available with hole $\varnothing 3.2 - 4.2 - 5.2$ mm).
Available with 2-conductor flat cable and 2/3-conductor round section cable with double insulation.

RECOMMENDED INSTALLATION:



TECHNICAL SPECIFICATION

Sensing element	Pt100 Ω @ 0°C Pt1000 Ω @ 0°C NTC R(25°C)=10Kohm \pm 1%, beta(25/85)=3977 NTC R(25°C)=10Kohm \pm 1%, beta(25/85)=3435
Sensing Element configuration	single 3-wire single 2-wire
Output signal type	thermoreistance thermistor
Accuracy class in accordance to IEC751 (*) (* The accuracy class is valid only in the temperature range indicated by the norm)	cl. B Thermistor (not classifiable in accordance with IEC 751)
Sensing element operating temperature range	-40 \div 105°C
Insulation resistance	100 M Ω @ 1000 Vdc.
Tip type	nickel-plated copper eyelet with \varnothing 3.2 mm hole and thermoplastic insulation nickel-plated copper eyelet with \varnothing 4.2 mm hole and thermoplastic insulation nickel-plated copper eyelet with \varnothing 5.2 mm hole and thermoplastic insulation
Plastic bulb material	TPE (MOULDED)
Extension cable	TPE 2-wires double insulation TPE 3-wires double insulation TPE 2-wires single insulation
Cable working temperature	-40 \div 105°C (6h @150°C)
Cable working temperature	-40 \div 105°C (6h @150°C)
Cable working temperature	-40 \div 105°C (6h @150°C)
Cable extension E	3 m
Dimensional notes	Extensions other than those listed can be produced for minimum quantities to be agreed (after our feasibility study)
International protection marking (*) (* According to IEC 60529)	IP67
Fixing accessories	(recommended) DIN912-ISO4762 M3 - M4 - M5 screws (not included in the supply)

ORDER CODES

	Sensing element	Extension cable type	Extension (E)	Hole diameter				
EYE-	--	-	----	-	S			
	NTC R(25°C)=10Kohm ±1% Beta (25/85)=3977	01	single conductor insulation flat	N	3000 mm	3000	Ø3.2 mm	3
	NTC R(25°C)=10Kohm ±1% Beta (25/85)=3435	02	2 wires double insulation	G			Ø4.2 mm	4
	Pt100 cl.B to IEC 751	P1	3 wires double insulation	L			Ø5.2 mm	5
	Pt1000 cl.B to IEC 751	P3						

STANDARD configuration

For other configuration contact the Sales Office

ITALCOPPIE SENSORI srl

Via A. Tonani, 10 - Fraz. S. Giacomo al Campo
26030 Malagnino (CR) - Italy

www.italcoppie.com

