

ALBEDOMETER LPS11...

MAXIMIZE YOUR DATA ACCURACY WITH
THE NEW CLASS A ALBEDOMETER

INTRODUCTION

Next to the new series of pyranometers, now you can unlock the power of precise solar radiation measurements also with our state-of-the-art albedometer series. Designed to exceed industry standards, our albedometers redefine accuracy and reliability.

Specifically suitable for applications such:

- Climatology
- Automatic Weather Stations (AWS)
- Agriculture
- Environmental research

FEATURES

How do they work

Picture this - two pyranometers, one mission - measuring global solar radiation from every angle. Our albedometers have thermopile sensors facing upwards and downwards, capturing both incident and reflected solar radiation. This means you get a comprehensive view of your solar data, allowing for unparalleled insights.

What's albedo?

Albedo, the secret sauce of solar insights! Measure the fraction of solar radiation reflected from the ground with our Albedometers. It's not just data; it's Solar Reflectance in action. Calculate net radiation effortlessly by subtracting reflected global radiation from incident global radiation.

Precision beyond par: ISO 9060:2018!

Our albedometer series doesn't just meet standards; it sets them. Fully compliant with ISO 9060:2018 and WMO's "Guide to Meteorological Instruments and Methods of Observation," these instruments redefine accuracy and reliability. Moreover, they are calibrated individually as per the WRR standard, they are robust and reliable.

CONFIGURATION & MEASUREMENT

Powered by Precision, Not Electricity!

Our albedometers are not just accurate; they're eco-friendly too. Totally passive, they don't require any power supply. Simplify your setup - direct outputs from the electric signals of the pyranometers to your data logger or automatic data processor.

Integrated bubble level

To ease horizontal positioning during installation and grant accurate measurements.

If it's time to upgrade your solar insights, Senseca albedometers are the right choice for accuracy, reliability, and a clear view of the sun. Don't just measure solar radiation, master it!



ROBUST HOUSING

Rugged body designed to operate even at low temperatures without loss of accuracy



ACCURATE & RELIABLE

Supplied factory calibrated with individual calibration report
ISO 17025 calibration certificate available upon request



EASY TO SET UP & QUICK TO INSTALL

Integrated bubble level to ensure accurate installation in any position

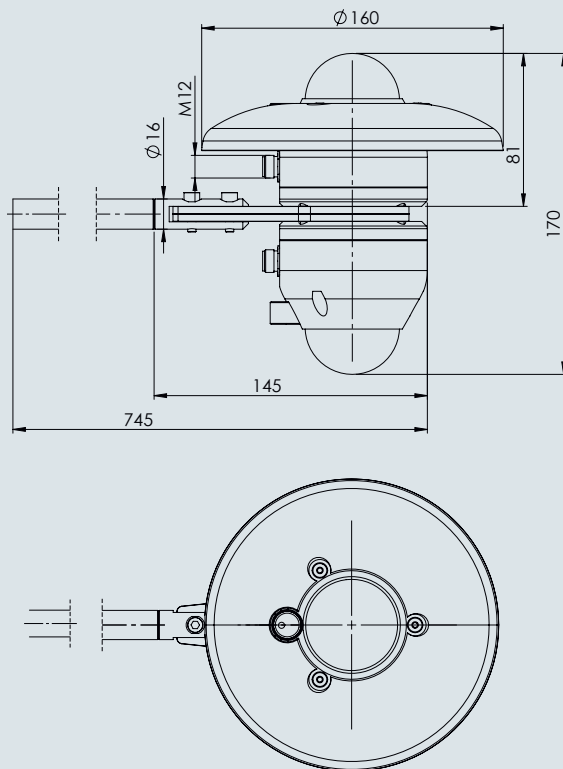


ACCORDING TO THE STANDARD

Follows recommendations of the WMO - fully compliant with ISO 9060:2018

Technical specifications according to ISO 9060:2018

Classification	Spectrally Flat Class A	
Response time (95%)	< 2 s	
Zero offset	a) response to a 200 W/m ² thermal radiation	< ±7 W/m ²
	b) response to a 5 K/h change in ambient temperature	< ±2 W/m ²
	a) total zero offset including the effects a), b) and other sources	< ±10 W/m ²
Long-term instability (1 year)	< ±0.5 %	
Non-linearity	< ±0.2 %	
Directional response (up to 80° with 1000 W/m ² beam)	< ±10 W/m ²	
Spectral error	< ±0.2 %	
Temperature response (-10...+40°C)	< ±0.5 %	
Tilt response	< ±0.2 %	



Ordering codes

LPS110P0	Spectrally Flat Class A albedometer. Supplied with solar radiation protection screen, 2 female M12 free connectors (only if the optional connection cables are not ordered), mast fixing support and calibration report. The connection cables and the fixing accessories must be ordered separately.
-----------------	---

General specifications

Sensor	Thermopile
Typical sensitivity	6...12 μV/Wm ²
Measuring range	-200...4000 W/m ²
Viewing angle	2π sr
Spectral range (50%)	283...2800 nm
Output	Passive in mV
Connection	2 5-pole M12 connectors
Weight	1.4 kg approx.
Operating conditions	-40...+80 °C 0...100 %RH
Bubble level accuracy	< 0.2°
Protection degree	IP 67
Materials	Housing: anodized aluminium Screen: ASA Dome: optical glass
MTBF	> 10 years



V 1.0

ALBEDOMETER LPS05...

MAXIMIZE YOUR DATA ACCURACY WITH
THE NEW CLASS B ALBEDOMETER

INTRODUCTION

Next to the new series of pyranometers, now you can unlock the power of precise solar radiation measurements also with our state-of-the-art albedometer series. Designed to exceed industry standards, our albedometers redefine accuracy and reliability.

Specifically suitable for applications such:

- Climatology
- Automatic Weather Stations (AWS)
- Agriculture
- Environmental research

FEATURES

How do they work

Picture this - two pyranometers, one mission - measuring global solar radiation from every angle. Our albedometers have thermopile sensors facing upwards and downwards, capturing both incident and reflected solar radiation. This means you get a comprehensive view of your solar data, allowing for unparalleled insights.

What's albedo?

Albedo, the secret sauce of solar insights! Measure the fraction of solar radiation reflected from the ground with our Albedometers. It's not just data; it's Solar Reflectance in action. Calculate net radiation effortlessly by subtracting reflected global radiation from incident global radiation.

Precision beyond par: ISO 9060:2018!

Our albedometer series doesn't just meet standards; it sets them. Fully compliant with ISO 9060:2018 and WMO's "Guide to Meteorological Instruments and Methods of Observation," these instruments redefine accuracy and reliability. Moreover, they are calibrated individually as per the WRR standard, they are robust and reliable.

CONFIGURATION & MEASUREMENT

Powered by Precision, Not Electricity!

Our albedometers are not just accurate; they're eco-friendly too. Totally passive, they don't require any power supply. Simplify your setup - direct outputs from the electric signals of the pyranometers to your data logger or automatic data processor.

Integrated bubble level

To ease horizontal positioning during installation and grant accurate measurements.

If it's time to upgrade your solar insights, Senseca albedometers are the right choice for accuracy, reliability, and a clear view of the sun. Don't just measure solar radiation, master it!



ROBUST HOUSING

Rugged body designed to operate even at low temperatures without loss of accuracy



ACCURATE & RELIABLE

Supplied factory calibrated with individual calibration report
ISO 17025 calibration certificate available upon request



EASY TO SET UP & QUICK TO INSTALL

Integrated bubble level to ensure accurate installation in any position

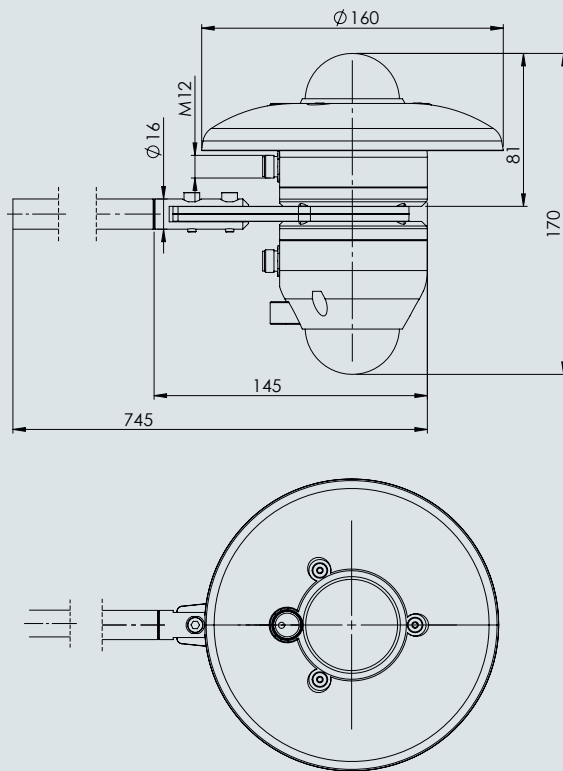


ACCORDING TO THE STANDARD

Follows recommendations of the WMO - fully compliant with ISO 9060:2018

Technical specifications according to ISO 9060:2018

Classification	Spectrally Flat Class B	
Response time (95%)	< 10 s	
Zero offset	a) response to a 200 W/m ² thermal radiation	< ±10 W/m ²
	b) response to a 5 K/h change in ambient temperature	< ±4 W/m ²
	a) total zero offset including the effects a), b) and other sources	< ±15 W/m ²
Long-term instability (1 year)	< ±1 %	
Non-linearity	< ±1 %	
Directional response (up to 80° with 1000 W/m ² beam)	< ±18 W/m ²	
Spectral error	< ±0.5 %	
Temperature response (-10...+40°C)	< ±1.5 %	
Tilt response	< ±1 %	



Ordering codes

LPS050P0	Spectrally Flat Class B albedometer. Supplied with solar radiation protection screen, 2 female M12 free connectors (only if the optional connection cables are not ordered), mast fixing support and calibration report. The connection cables and the fixing accessories must be ordered separately.
-----------------	---

General specifications

Sensor	Thermopile
Typical sensitivity	6...12 μV/Wm ²
Measuring range	-200...4000 W/m ²
Viewing angle	2π sr
Spectral range (50%)	283...2800 nm
Output	Passive in mV
Connection	2.5-pole M12 connectors
Weight	1.4 kg approx.
Operating conditions	-40...+80 °C 0...100 %RH
Bubble level accuracy	< 0.2°
Protection degree	IP 67
Materials	Housing: anodized aluminium Screen: ASA Dome: optical glass
MTBF	> 10 years



V 1.0

ALBEDOMETER LPS06...

MAXIMIZE YOUR DATA ACCURACY WITH
THE NEW CLASS C ALBEDOMETER

INTRODUCTION

Next to the new series of pyranometers, now you can unlock the power of precise solar radiation measurements also with our state-of-the-art albedometer series. Designed to exceed industry standards, our albedometers redefine accuracy and reliability.

Specifically suitable for applications such:

- Climatology
- Automatic Weather Stations (AWS)
- Agriculture
- Environmental research

FEATURES

How do they work

Picture this - two pyranometers, one mission - measuring global solar radiation from every angle. Our albedometers have thermopile sensors facing upwards and downwards, capturing both incident and reflected solar radiation. This means you get a comprehensive view of your solar data, allowing for unparalleled insights.

What's albedo?

Albedo, the secret sauce of solar insights! Measure the fraction of solar radiation reflected from the ground with our Albedometers. It's not just data; it's Solar Reflectance in action. Calculate net radiation effortlessly by subtracting reflected global radiation from incident global radiation.

Precision beyond par: ISO 9060:2018!

Our albedometer series doesn't just meet standards; it sets them. Fully compliant with ISO 9060:2018 and WMO's "Guide to Meteorological Instruments and Methods of Observation," these instruments redefine accuracy and reliability. Moreover, they are calibrated individually as per the WRR standard, they are robust and reliable.

CONFIGURATION & MEASUREMENT

Powered by Precision, Not Electricity!

Our albedometers are not just accurate; they're eco-friendly too. Totally passive, they don't require any power supply. Simplify your setup - direct outputs from the electric signals of the pyranometers to your data logger or automatic data processor.

Integrated bubble level

To ease horizontal positioning during installation and grant accurate measurements.

If it's time to upgrade your solar insights, Senseca albedometers are the right choice for accuracy, reliability, and a clear view of the sun. Don't just measure solar radiation, master it!



www.senseca.com



ROBUST HOUSING

Rugged body designed to operate even at low temperatures without loss of accuracy



ACCURATE & RELIABLE

Supplied factory calibrated with individual calibration report
ISO 17025 calibration certificate available upon request



EASY TO SET UP & QUICK TO INSTALL

Integrated bubble level to ensure accurate installation in any position

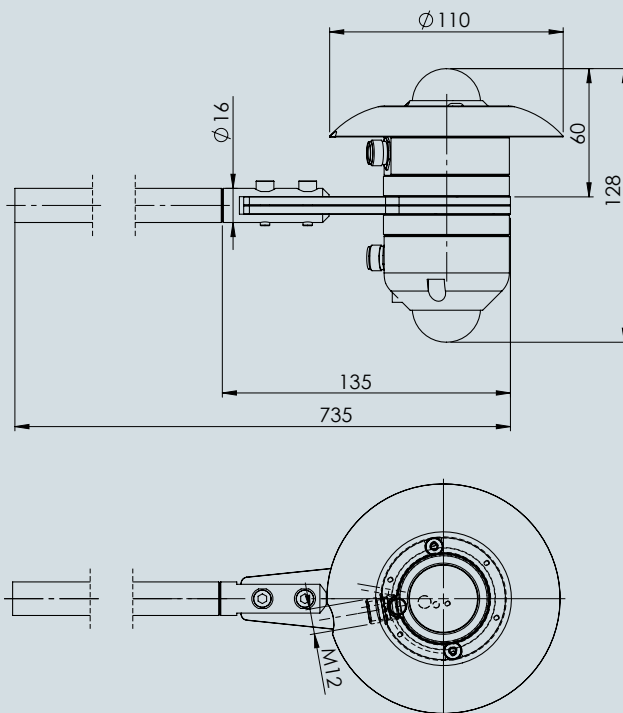


ACCORDING TO THE STANDARD

Follows recommendations of the WMO - fully compliant with ISO 9060:2018

Technical specifications according to ISO 9060:2018

Classification	Spectrally Flat Class C	
Response time (95%)	< 18 s	
Zero offset	a) response to a 200 W/m ² thermal radiation	< ±15 W/m ²
	b) response to a 5 K/h change in ambient temperature	< ±4 W/m ²
	a) total zero offset including the effects a), b) and other sources	< ±20 W/m ²
Long-term instability (1 year)	< ±1 %	
Non-linearity	< ±1 %	
Directional response (up to 80° with 1000 W/m ² beam)	< ±20 W/m ²	
Spectral error	< ±1 %	
Temperature response (-10...+40°C)	< ±2 %	
Tilt response	< ±1.5 %	



Ordering codes

LPS060P0	Spectrally Flat Class C albedometer. Supplied with solar radiation protection screen, 2 female M12 free connectors (only if the optional connection cables are not ordered), mast fixing support and calibration report. The connection cables and the fixing accessories must be ordered separately.
-----------------	---

General specifications

Sensor	Thermopile
Typical sensitivity	5...15 μV/Wm ²
Measuring range	-200...4000 W/m ²
Viewing angle	2π sr
Spectral range (50%)	300...2800 nm
Output	Passive in mV
Connection	2 5-pole M12 connectors
Weight	640 g approx.
Operating conditions	-40...+80 °C 0...100 %RH
Bubble level accuracy	< 0.2°
Protection degree	IP 67
Materials	Housing: anodized aluminium Screen: ASA Dome: optical glass
MTBF	> 10 years



V 1.0